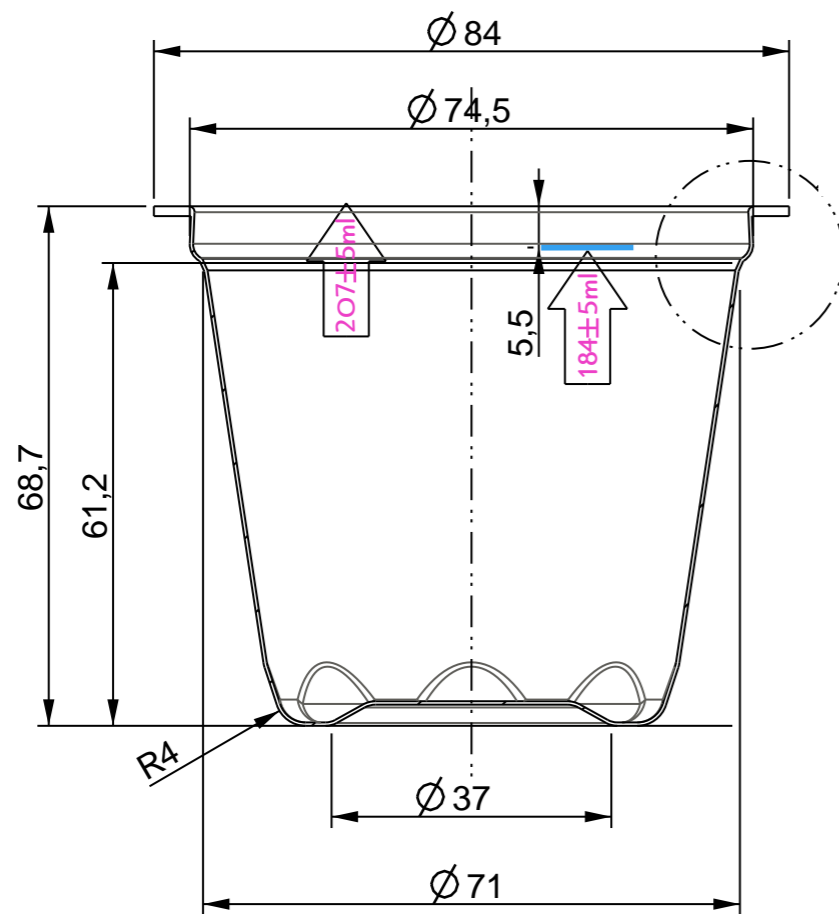



SECCIÓN B-B



MATERIAL: MATERIAL: PP/EVOH/PP		NOMBRE DE ARCHIVO: FILE NAME: 1005700.prt/Proe		unidad de medida: mm unit of measure		PLANO N°:  1005700									
<p>This drawing is property of EDV PACKAGING and may not be copied or disclosed to third without our written permission.</p>						<table border="1"> <tr> <td>DIBUJADO MADE BY</td> <td>E.B.</td> <td>22/12/10</td> </tr> <tr> <td>COMPROBADO PROOFED</td> <td></td> <td></td> </tr> <tr> <td>REVISION:</td> <td colspan="2">FORMATO: A3</td> </tr> </table>		DIBUJADO MADE BY	E.B.	22/12/10	COMPROBADO PROOFED			REVISION:	FORMATO: A3
DIBUJADO MADE BY	E.B.	22/12/10													
COMPROBADO PROOFED															
REVISION:	FORMATO: A3														
TITULO: <b>7 OZ CUP (207ml) 84x68.7mm</b>				ESCALA : SCALE: 1 : 1											