

VALVES



RLA

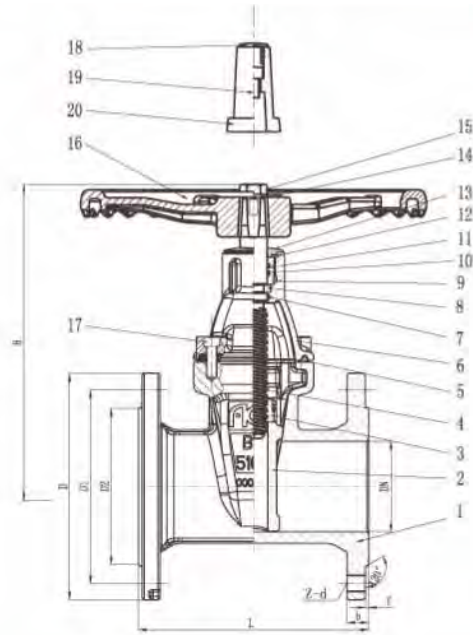
Pipelines Ltd.



Ductile Iron Resilient Seat Gate Valves to BS5163



Model No. CV-R101



Components :

No.	Name	Material
1	Body	Ductile Iron, BS EN1563 EN--GJS-500-7
2	Wedge	DI core, fully vulcanized with EPDM or NBR
3	Wedge Nut	Forged Brass, BS EN12165 CW617N
4	Stem	Stainless Steel, BS EN10088-3
5	Bonnet Gasket	Rubber, EPDM
6	Bonnet	Ductile Iron, BS EN1563 EN--GJS-500-7
7	O-ring	Rubber, EPDM
8	Thrust Collar	Forged Brass, BS EN12165 CW617N
9	O-ring	Rubber, EPDM
10	Stem Seal Bush	Forged Brass, BS EN12165 CW617N
11	O-ring	Rubber, EPDM
12	Circlip	Stainless Steel
13	Dust Cover	Rubber, NBR
14	Washer	Stainless Steel
15	Handwheel Screw	Stainless Steel
16	Handwheel	Ductile Iron, BS EN1563 EN--GJS-500-7
17	Bonnet Bolts	Carbon Steel
18	Cap Top Cover	PVC
19	Cap Top Screw	Stainless Steel
20	Cap Top	Ductile Iron, BS EN1563 EN--GJS-500-7

Design to BS5163 Type B, and EN1074-2

Face to face dimension to BS5163

Flange and drilling to BS4504 PN16

Tests: hydraulic test to BS6755 part 1

Non-rising stem

Stem seal replaceable under pressure with valve in fully open position

Use: for potable water, sewage and neutral liquids to Maximum 70°C

Coating: fusion bonded epoxy coating internally and externally minimum 250 microns

Dimensions (mm)

DN	L	D	D1	D2	b	f	Z-Φd	H (handwheel)	H (cap top)
50	178	165	125	102	19	3	4-Φ18	215	246
65	190	185	145	122	19	3	4-Φ18	240	272
80	203	200	160	138	19	3	8-Φ18	268	298
100	229	220	180	158	19	3	8-Φ18	298	328
125	254	250	210	188	19	3	8-Φ18	352	379
150	267	285	240	212	19	3	8-Φ22	386	414
200	292	340	295	268	20	3	12-Φ22	485	512
250	330	405	355	320	22	3	12-Φ26	585	638
300	356	460	410	378	24.5	4	12-Φ26	671	724
350	381	520	470	438	26.5	4	16-Φ26	769	851
400	406	580	525	490	28	4	16-Φ30	851	923
450	432	640	585	550	30	4	20-Φ30	922	1026
500	457	715	650	610	31.5	4	20-Φ33	1010	1114
600	508	840	770	725	35	5	20-Φ36	1164	1268

Ductile Iron resilient Seat Gate Valve to BS5163

Four O-rings Seal

--Four Stem Seal O-rings, three of them are replaceable under pressure with valve in fully open position

Epoxy Powder Coating

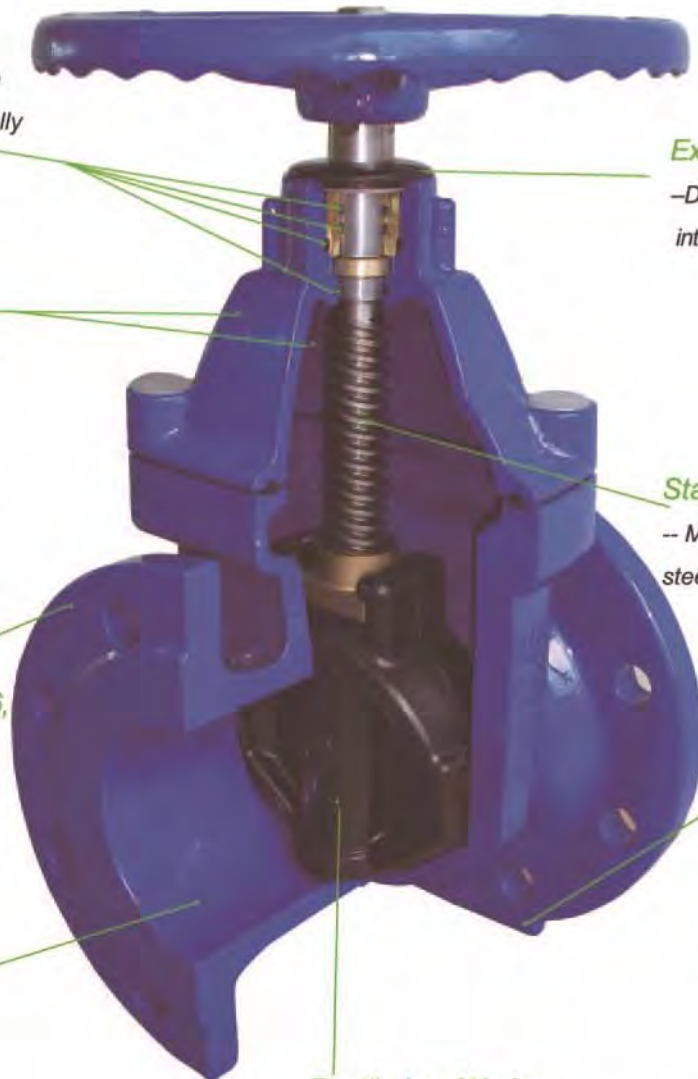
-- Fusion Bonded Epoxy Coating internally & externally with minimum 250 microns, providing high quality corrosion protection, and suitable for potable water

Flange Drilling for BS4505 PN10/16, BS10 Table D, DIN3202 PN10/PN16, ANSI CL125

Face to face dimension according to BS5163, BS1218, DIN3352 F4/F5, ANSI B16.10,

Full Diameter Waterway

-- For smooth unobstructed flow



External Stem Seal

--Designed to prevent sand or grit into valve between stem and seal

Stainless Steel Stem

-- Made by high strength stainless steel bar with rolled threads

Foot Support Design

-- To make valves stand at vertical position and easily for transportation, stock and installation

Ductile Iron Wedge

-- Ductile Iron Core, inside and outside fully rubberized with vulcanized elastomer suitable for potable water



Mounting Flange for gearing operation available at request

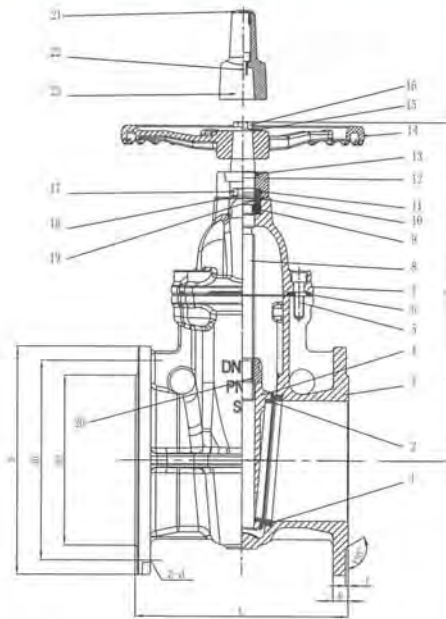


Indicator available at request

Ductile Iron Metal Seated Gate Valves to BS5163 Type B



Model No. CV-101



Components :

No.	Name	Material
1	Body Seal Ring	Brass, BS EN12165 CW617N, or Bronze, BS EN1982 CC491K
2	Wedge Seal Ring	Brass, BS EN12165 CW617N, or Bronze, BS EN1982 CC491K
3	Body	DI, BS EN1563 EN-GJS-500-7
4	Wedge	DI, BS EN1563 EN-GJS-500-7
5	Bonnet Bolts	Carbon Steel, Gr.8.8
6	Bonnet Gasket	Rubber, EPDM
7	Bonnet	DI, BS EN1563 EN-GJS-500-7
8	Stem	Stainless Steel, BS EN10088-3
9	Thrust Collar	Forged Brass, BS EN12165 CW617N
10	O-ring	Rubber, EPDM
11	Stem Seal Bush	Forged Brass, BS EN12165 CW617N
12	Gland Flange	DI, BS EN1563 EN-GJS-500-7
13	Dust Cover	Rubber, NBR
14	Handwheel	DI, BS EN 1563EN-GJS-500-7
15	Handwheel Screw	Stainless Steel
16	Washer	Stainless Steel
17	Gland Flange Bolts	Stainless Steel
18	Washer	Stainless Steel
19	O-ring	Rubber, EPDM
20	Wedge Nut	Brass, BS EN12165 CW617N, or Bronze, BS EN1982 CC491K
21	Cap Top Cover	PVC
22	Cap Top Screw	Stainless Steel
23	Cap Top	DI, BS EN 1563 EN-GJS-500-7

Design to BS5163 Type B, and EN1074-2

Face to face dimension to BS5163

Flange and drilling to BS4504 PN16

Tests: hydraulic test to BS6755 part 1

Non-rising stem

Stem seal replaceable under pressure with valve in fully open position

Use: for potable water, sewage and neutral liquid to Max.70°C

Coating: epoxy painting internally and externally, fusion bonded epoxy coating available at request

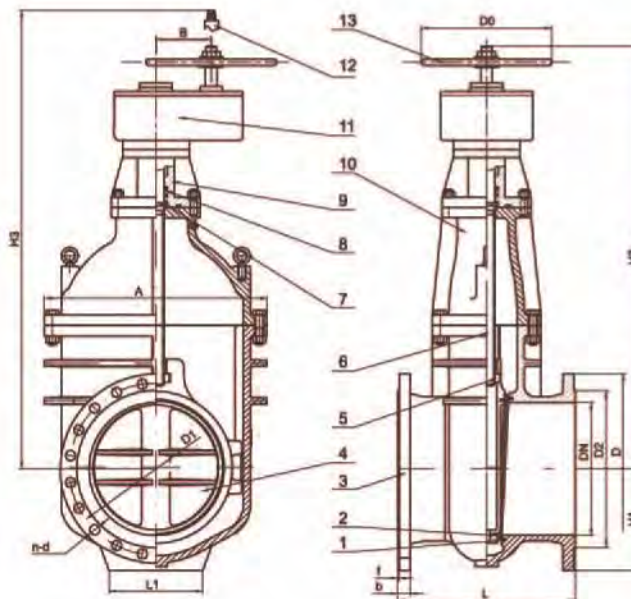
Dimensions (mm)

DN	L	D	D1	D2	b	Z-Φd	H (handwheel)	H (cap top)
50	178	165	125	102	19	4-Φ18	232	298
65	190	185	145	122	19	4-Φ18	270	335
80	203	200	160	138	19	8-Φ18	300	365
100	229	220	180	158	19	8-Φ18	330	395
125	254	250	210	188	19	8-Φ18	385	450
150	267	285	240	212	19	8-Φ22	428	490
200	292	340	295	268	20	12-Φ22	520	582
250	330	405	355	320	22	12-Φ26	618	680
300	356	460	410	378	24.5	12-Φ26	698	760

Ductile Iron Metal Seated Gate Valves (Large Diameter)



Model No. CV-101L



Components :

No.	Name	Material
1	Body Seal Ring	Brass, BS EN12165 CW617N, or Bronze, BS1400 AB1 or LG2
2	Wedge Seal Ring	Brass, BS EN12165 CW617N, or Bronze, BS1400 AB1 or LG2
3	Body	DI, BS EN 1563 EN-GJS-500-7
4	Wedge	DI, BS EN 1563 EN-GJS-500-7
5	Wedge Nut	Brass, BS EN12165 CW617N, or Bronze, BS1400 AB1 or LG2
6	Stem	Stainless Steel, BS EN 10088-3
7	Thrust Collar	Brass, BS EN12165 CW617N
8	O-ring	Rubber, EPDM
9	Bracket	DI, BS EN 1563 EN-GJS-500-7
10	Bonnet	DI, BS EN 1563 EN-GJS-500-7
11	Gear Box	DI, BS EN 1563 EN-GJS-500-7
12	Cap Top	DI, BS EN 1563 EN-GJS-500-7
13	Handwheel	DI, BS EN 1563 EN-GJS-500-7

Dimensions (mm)

DN	D	D1	D2	b	f	n-φd	L	L1	H1	H2	H3	A	Do	ratio
DN350	520	470	438	26.5	4	16-φ26	381	285	285	1012	1132	610	φ600	1:3
DN400	580	525	490	28	4	16-φ30	406	320	320	1123	1229	676	φ600	1:3
DN450	640	585	550	30	4	20-φ30	432	350	350	1237	1332	740	φ600	1:6
DN500	715	650	610	31.5	4	20-φ33	457	390	390	1332	1427	803	φ600	1:6
DN600	840	770	725	36	5	20-φ36	508	470	470	1478	1573	950	φ600	1:6
DN700	910	840	794	39.5	5	24-φ36	610	495	495	1696	1796	1156	φ720	1:7
DN800	1025	950	901	43	5	24-φ39	660	540	540	1851	1951	1242	φ720	1:7
DN900	1125	1050	1001	46.5	5	28-φ39	711	600	645	2323	2423	1423	φ720	1:8
DN1000	1255	1170	1112	50	5	28-φ42	811	705	710	2475	2585	1650	φ900	1:8
DN1200	1485	1390	1328	57	5	32-φ48	960	825	825	2630	2740	1708	φ900	1:8

DN350 to DN600: Design to BS5163 Type B

DN600 above: Design to BS5150

Flanges and drilling to BS4504 PN16

Tests: hydraulic test to BS6755 Part 1

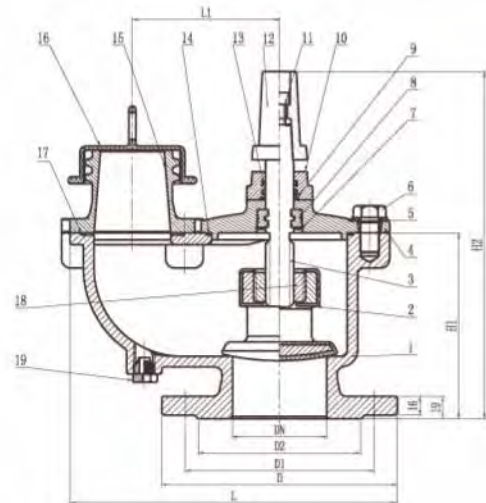
Non-Rising Stem

Use: for potable water, sewage and neutral liquid to

Max. 70°C

Coating: epoxy painting internally and externally

Underground Fire Hydrant to BS750 - Type 2



Model No. CV-HY00C (screwed down type)

Design to BS750 Type B
 Universal flange drilling to BS4504 PN16 &
 BS10 Table E
 (DN100 flange available at request)
 with anti-frost drain valve
 Coating: fusion bonded epoxy coating
 internally & externally minimum 250 microns

Components :

No.	Name	Material
1	Body	Ductile Iron, BS EN1563 EN-GJS-500-7
2	Stopper	DI core, vulcanized with EPDM or NBR
3	Stem	Stainless Steel, BS EN10088-3
4	Bonnet	Ductile Iron, BS EN1563 EN-GJS-500-7
5,6	Bonnet Bolts/Washers	Carbon Steel
7	Circlip	Stainless Steel
8	Thrust Collar	Forged Brass, BS EN12165 CW617N
9	O-ring	Rubber, EPDM
10	Gland Flange	Ductile Iron, BS EN1563 EN-GJS-500-7
11	Cap Top Screw	Stainless Steel
12	Cap Top	Ductile Iron, BS EN1563 EN-GJS-500-7
13	O-ring	Rubber, EPDM
14	Bonnet Gasket	Rubber, EPDM
15	London Round Threads Outlet	Gunmetal, BS1400 LG2
16	Dust Cover	PVC
17	Outlet O-ring	Rubber, EPDM
18	Stopper Nut	Forged Brass, BS EN12165 CW617N
19	Anti-frost Drain Valve	Forged Brass, BS EN12165 CW617N

Options of outlet:

No.	Type of Outlet	Material
1.	Bayonet	Ductile Iron, BS EN1563 EN-GJS-500-7
2.	London Round Threads	Gunmetal, BS1400 LG2
3.	Instantaneous	Gunmetal, BS1400 LG2
4.	Belfast	Gunmetal, BS1400 LG2

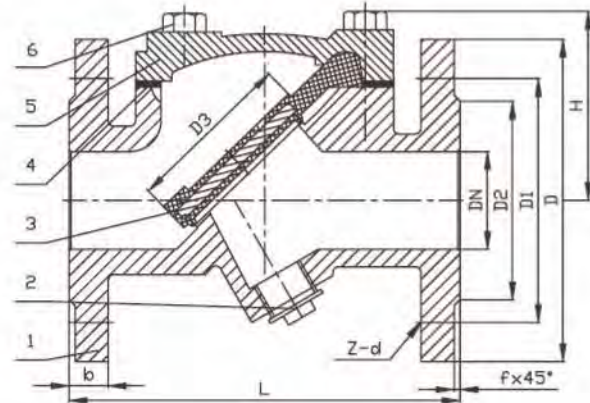
Dimensions (mm)

DN	D	L	L1	H1	H2
80	200	278	125	158	273
100	220	288	125	158	273

Rubber Seated Swing Check Valve to BS5153



Model No. CV-R103



Design to BS5153

Face to face dimension to BS5153

Flange and drilling to BS4504 PN10/PN16,
ANSI CL125

Tests: hydraulic test to BS6755 Part 1

Use: for potable water, sewage and neutral
liquids to Max. 70°C

Coating: fusion bonded epoxy coating internally
and externally minimum 250 microns

Components :

No.	Name	Material
1	Body	Ductile Iron, BS EN1563 EN-GJS-500-7
2	Drain Plug	Stainless Steel
3	Disc	Nylon core fully vulcanized with EPDM or NBR
4	Gasket	Rubber, EPDM
5	Bonnet	Ductile Iron, BS EN1563 EN-GJS-500-7
6	Bonnet Bolts	Stainless Steel

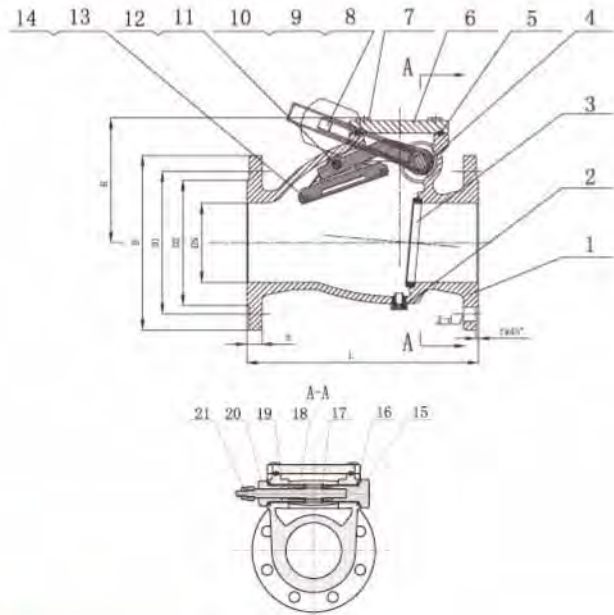
Dimensions (mm)

DN	L	D	D1	D2	b	f	Z-Φd	H
50	203	165	125	102	19	3	4-Φ18	100
65	216	185	145	122	19	3	4-Φ18	110
80	241	200	160	138	19	3	8-Φ18	115
100	292	220	180	158	19	3	8-Φ18	120
125	330	250	210	188	19	3	8-Φ18	150
150	356	285	240	212	19	3	8-Φ22	170
200	495	340	295	268	20	3	12-Φ22	205
250	622	405	355	320	22	3	12-Φ26	230
300	698	460	410	378	24.5	4	12-Φ26	265
350	787	520	470	438	26.5	4	16-Φ26	328
400	914	580	525	490	28	4	16-Φ30	360
450	965	640	585	550	30	4	20-Φ30	412
500	978	715	650	610	31.5	4	20-Φ33	481
600	1295	840	770	725	36	5	20-Φ36	549

Swing Check Valve - Metal Faced to BS5153



Model No. CV-103 for BS5153
CV-303 for DIN3202 F6



Design to BS5153, DIN3202 F6
Face to face dimension to BS5153 (Model CV-103), and
DIN3202 F6 (Model CV-303)
Flange and drilling to BS4504 PN10/PN16, DIN2501
PN10/PN16
Tests: hydraulic test to BS6755 Part 1
Use: for potable water, sewage and neutral liquids to
Maximum 70°C
Coating: fusion bonded epoxy coating internally and
externally minimum 250 microns

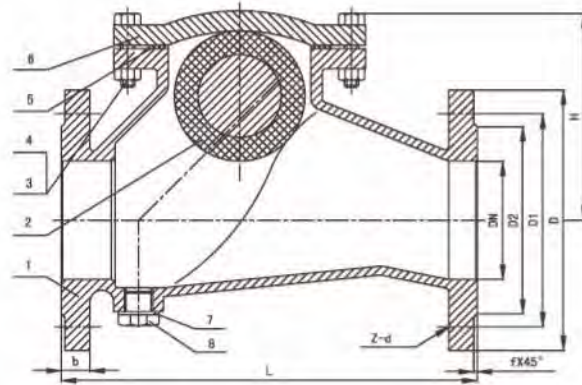
Components :

No.	Name	Material
1	Body	Ductile Iron, BS EN1563 EN-GJS-500-7
2	Drain Plug	Stainless Steel
3	Body Seal Ring	Brass, BS EN12165 CW617N, or Bronze, BS EN1982 CC491K
4	Hinge	Ductile Iron, BS EN1563 EN-GJS-500-7
5	O-ring	Rubber, EPDM
6	Bonnet	Ductile Iron, BS EN1563 EN-GJS-500-7
7	Bonnet Bolts	Stainless Steel
8	Lever	Ductile Iron, BS EN1563 EN-GJS-500-7
9	Weight	Ductile Iron, BS EN1563 EN-GJS-500-7
10	Lever Screw	Stainless Steel
11	Hinge Pin	Stainless Steel
12	Clip	Stainless Steel
13	Disc	Ductile Iron, BS EN1563 EN-GJS-500-7
14	Disc Seal Ring	Brass, BS EN12165 CW617N, or Bronze, BS EN1982 CC491K
15, 20	Side Plug	Forged Brass, BS EN12165 CW617N, or Ductile Iron, BS EN1563 EN-GJS-500-7
16	Bonnet Gasket	Rubber, EPDM
17	Washer	Stainless Steel
18	Shaft	Stainless Steel, BS EN10088-3
19	O-ring	Rubber, EPDM
21	Nut	Stainless Steel

Dimensions (mm)

DN	L (BS5153)	L (DIN3202 F6)	D	D1	D2	b	f	Z-Φd	H
50	203	200	165	125	102	19	3	4-Φ18	120
65	216	240	185	145	122	19	3	4-Φ18	130
80	241	260	200	160	138	19	3	8-Φ18	140
100	292	300	220	180	158	19	3	8-Φ18	160
125	330	350	250	210	188	19	3	8-Φ18	180
150	356	400	285	240	212	19	3	8-Φ22	200
200	495	500	340	295	268	20	3	12-Φ22	250
250	622	600	405	355	320	22	3	12-Φ26	290
300	698	700	460	410	378	24.5	4	12-Φ26	330

Cast Iron Ball Type Check Valve



Model No. CV-103B

Face to face dimension to DIN3202 F6
 Flange and drilling to DIN2501 PN10 / PN16,
 BS4504 PN10 / PN16

Tests: hydraulic test to DIN3230 Part 4
 Use: for water, sewage and neutral liquids to
 Maximum 70°C

Coating: fusion bonded epoxy coating internally &
 externally minimum 250 microns

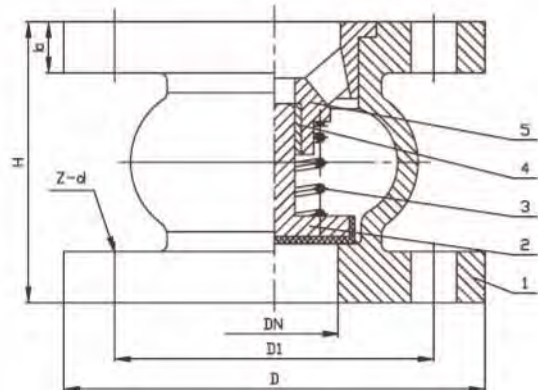
Components :

No.	Name	Material
1	Body	Grey Cast Iron, EN1561 GG25
2	Float Ball	Aluminum core vulcanized with EPDM
3	Bonnet Bolts	Carbon Steel
4	Nuts	Carbon Steel
5	Bonnet Gasket	Rubber, EPDM
6	Bonnet	Grey Cast Iron, EN1561 GG25
7	Washer	Nylon
8	Drain Plug	Carbon Steel

Dimensions (mm)

DN	L	D	b	f	H	Flange Drilling: DIN2501 PN10			Flange Drilling: DIN2501 PN16		
						D1	D2	Z-Φd	D1	D2	Z-Φd
40	180	150	19	3	125	110	88	4-Φ18	110	88	4-Φ18
50	200	165	19	3	140	125	102	4-Φ18	125	102	4-Φ18
65	240	185	19	3	150	145	122	4-Φ18	145	122	4-Φ18
80	260	200	19	3	162	160	138	4-Φ18	160	138	8-Φ18
100	300	220	19	3	194	180	158	8-Φ18	180	158	8-Φ18
125	350	250	19	3	242	210	188	8-Φ18	210	188	8-Φ18
150	400	285	19	3	277	240	212	8-Φ22	240	212	8-Φ22
200	500	340	20	3	362	295	268	8-Φ22	295	268	12-Φ22
250	600	405	22	3	418	350	320	12-Φ22	355	320	12-Φ26
300	700	460	24.5	4	497	400	370	12-Φ22	410	378	12-Φ26

Cast Iron Silent Check Valve



Model No. CV-003S

Valve operates in both horizontal and vertical position
 Removable top seat allows easy maintenance of valve at site
 Flange and drilling to BS4504 PN10/PN16, ANSI CL125, DIN2501 PN10/PN16
 Tests: hydraulic test to BS6755 Part 1
 Coating: fusion bonded epoxy coating internally and externally minimum 250 microns

Components :

No.	Name	Material
1	Body	Cast Iron, BS EN1561 EN-GJS-200
2	Disc	Cast Iron, BS EN1561 EN-GJS-200
3	Spring	Stainless Steel
4	Collar	Stainless Steel
5	Bonnet	Cast Iron, BS EN1561 EN-GJS-200

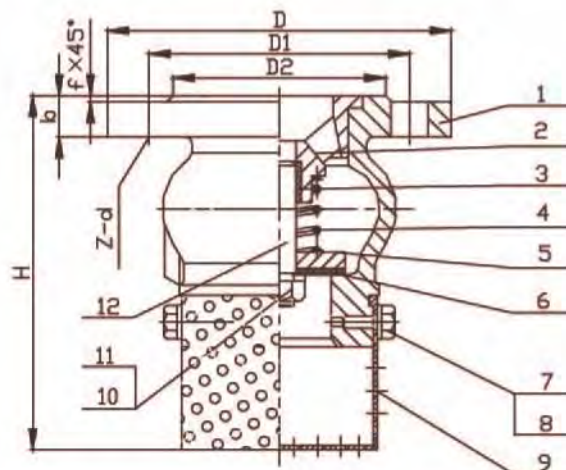
Dimensions (mm)

DN	H	D	D1	D2	b	f	Z-Φd
50	120	165	125	102	19	3	4-Φ18
65	120	185	145	122	19	3	4-Φ18
80	140	200	160	138	19	3	8-Φ18
100	170	220	180	158	19	3	8-Φ18
125	200	250	210	188	19	3	8-Φ18
150	220	285	240	212	19	3	8-Φ22
200	288	340	295	268	20	3	12-Φ22
250	344	405	355	320	22	3	12-Φ26
300	385	460	410	378	24.5	4	12-Φ26

Cast Iron Footvalve & Strainer



Model No. CV-F600



Flanges and drilling to DIN2501 PN16 or
DIN2501 PN10

Tests: hydraulic test to DIN3230 Part 4

Use: for water and neutral liquids to
Max. 70°C

Coating: fusion bonded epoxy coating
internally & externally mini. 250 microns

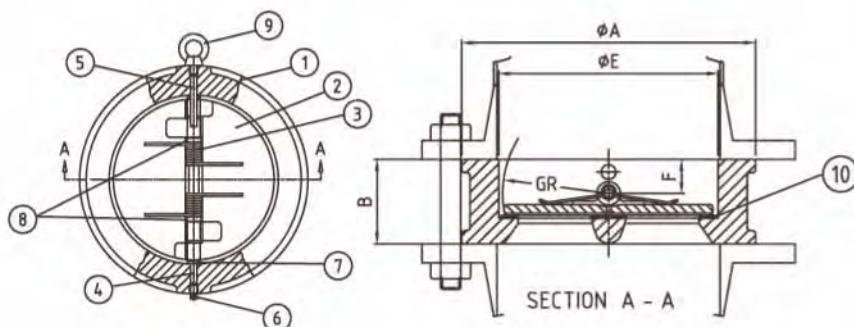
Components :

No.	Name	Material
1	Body	Grey Cast Iron, EN1561 GG25
2	Bonnet	Grey Cast Iron, EN1561 GG25
3	Collar	Stainless Steel
4	Spring	Stainless Steel
5	Disc	Grey Cast Iron, EN1561 GG25
6	Seat Ring	Rubber, EPDM
7	Nuts	Carbon Steel
8	Washers	Carbon Steel
9	Sleeve	Stainless Steel
10	Disc Nut	Stainless Steel
11	Washer	Stainless Steel
12	Spindle	Stainless Steel, EN10088-3

Dimensions (mm)

DN	D	b	f	H	Flange Drilling: DIN2501 PN10			Flange Drilling: DIN2501 PN16		
					D1	D2	Z-Φd	D1	D2	Z-Φd
50	165	19	3	166	125	102	4-Φ18	125	102	4-Φ18
65	185	19	3	201	145	122	4-Φ18	145	122	4-Φ18
80	200	19	3	220	160	138	4-Φ18	160	138	8-Φ18
100	220	19	3	265	180	158	8-Φ18	180	158	8-Φ18
125	250	19	3	300	210	188	8-Φ18	210	188	8-Φ18
150	285	19	3	360	240	212	8-Φ22	240	212	8-Φ22
200	340	20	3	470	295	268	8-Φ22	295	268	12-Φ22
250	405	22	3	568	350	320	12-Φ22	355	320	12-Φ26
300	460	24.5	4	653	400	370	12-Φ22	410	378	12-Φ26

Duo Check Valve



Model No. WCV011

Design to BS5153

Face to face dimension to DIN3202 K3

Suitable for flange ANSI CL125, DIN2501

PN10/PN16, BS4504 PN10/PN16

Tests: hydraulic test to API598

Use: for potable water, neutral liquids and food industry to max. 70°C

Coating: fusion bonded epoxy coating minimum 250 microns

Components :

No.	Name	Material
1	Body	1. Cast Iron, BS EN1561 EN-GIL-200 2. Ductile Iron, BS EN1563 EN-GJS-500-7 3. Carbon Steel
2	Disc	1. Ductile Iron with Nickel Plated 2. Stainless Steel, SS304 3. Stainless Steel SS316
3	Spring	Stainless Steel, BS EN 10088-3
4	Hinge Pin	Stainless Steel, BS EN 10088-3
5	Stop Pin	Stainless Steel, BS EN 10088-3
6	Plug	Carbon Steel
7	Body Bearing	PTFE
8	Spring Bearing	PTFE
9	Eye Ring	Carbon Steel
10	Seat	EPDM, /NBR, or Viton

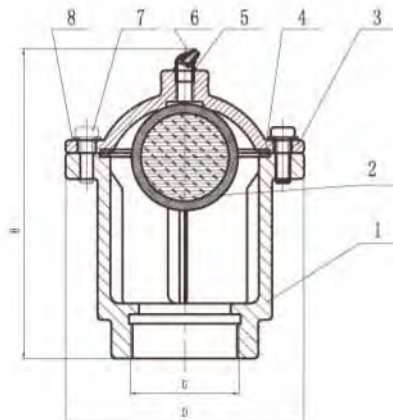
Dimensions (mm)

DN	A			B	E	F	GR
	PN10	PN16	ANSI CL125				
50	107	107	102	43	65	19	28.8
65	127	127	121	46	80	20	36.1
80	142	142	134	64	94	28	43.4
100	162	162	171	64	117	27	52.8
125	192	192	193	70	145	30	65.7
150	218	218	219	76	170	31	78.6
200	273	273	276	89	224	33	104.4
250	328	328	336	114	265	50	127
300	378	378	406	114	310	43	148.3
350	438	438	448	127	360	45	172.4
400	489	489	489	140	410	52	197.4
450	539	555	511	152	450	58	217.8
500	594	617	546	152	505	58	241
600	695	734	714	178	624	73	295.4

Air Valve - Single



Model No. CV-A501



Male inside threads according to BSP, DIN or NPT

Use: for water and neutral liquids to Max. 70°C

Tests: hydraulic test to BS6755 Part 1

Coating: fusion bonded epoxy coating internally & externally mini. 250 microns

■ Components :

No.	Name	Material
1	Body	Ductile Iron, BS EN1563 EN-GJS-500-7
2	Float Ball	Stainless Steel core with EPDM
3	Bonnet	Ductile Iron, BS EN1563 EN-GJS-500-7
4	Bonnet Gasket	Rubber, EPDM
5, 6	Nozzle	Brass, BS EN12165 CW617N
7	Bolt	Carbon Steel
8	Washer	Carbon Steel

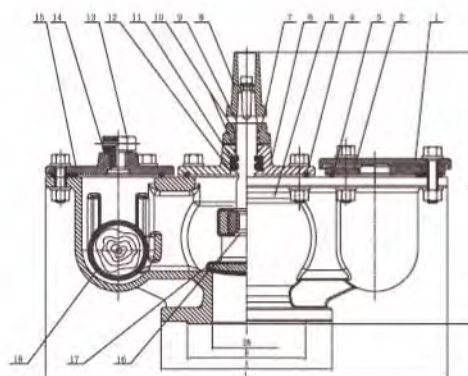
■ Dimensions (mm)

DN	D	H	G
25	106	140	1"
32	106	140	1-1/4"
40	130	169	1-1/2"
50	130	169	2"

Double Sphere Air Valve



Model No. CV-A502



Flange and drilling to BS4504 PN16
 Tests: hydraulic test to BS6755 Part 1
 Non-rising stem
 Use: for water and neutral liquid to
 Max.70°C
 Coating: epoxy resin coating internally &
 externally mini. 250 microns

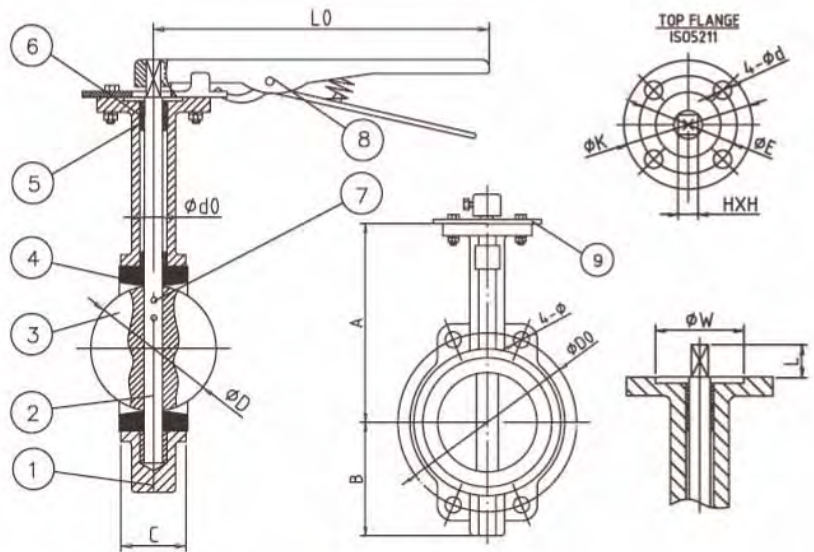
Components :

No.	Name	Material
1	Right Cover	Ductile Iron, BS EN1563 EN-GJS-500-7
2	Right Mat	Ductile Iron, BS EN1563 EN-GJS-500-7
3	Right Gasket	Rubber, EPDM
4	Bonnet Gasket	Rubber, EPDM
5	Body	Ductile Iron, BS EN1563 EN-GJS-500-7
6	Bonnet	Ductile Iron, BS EN1563 EN-GJS-500-7
7	Gland	Ductile Iron, BS EN1563 EN-GJS-500-7
8	Cap Top	Ductile Iron, BS EN1563 EN-GJS-500-7
9	Stem	Stainless Steel, BS EN10088-3
10	O-ring	Rubber, EPDM
11	Thrust Collar	Forged Brass, BS EN 12165 CW617N
12	Criclip	Stainless Steel
13	Drain Coke	Forged Brass, BS EN 12165 CW617N
14	Washer	Nylon
15	Left Cover	Ductile Iron, BS EN1563 EN-GJS-500-7
16	Disc Nut	Forged Brass, BS EN 12165 CW617N
17	Disc	DI core fully vulcanized with EPDM rubber
18	Float Ball	SS core vulcanized with EPDM rubber

Dimensions (mm)

DN	L	Flange Dia.	PCD	C	b	Z-Φd	H
50	380	165	125	102	19	4-Φ18	300
65	380	185	145	122	19	4-Φ18	300
80	475	200	160	138	19	8-Φ18	320
100	475	220	180	158	19	8-Φ18	475
150	742	285	240	212	19	8-Φ22	742
200	850	340	295	268	20	12-Φ22	850

Butterfly Valve - Wafer Pattern



Model No. BTV-A

Design to BS5155

Face to face dimension to DIN3202 K1

Flange and drilling to BS4504 PN16, ANSI CL125, DIN2501 PN10/16

Tests: hydraulic test to DIN3230 part 3

Use: for potable water, sewage, neutral liquids and food industry to max. 70°C

Coating: fusion bonded epoxy coating minimum 250 microns

Operation: 2"-12" with lever, 14" and above with gear box or actuator

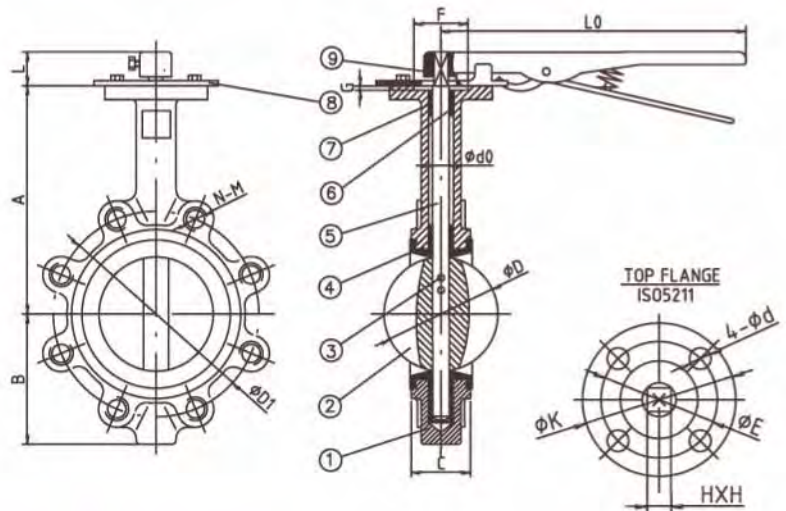
Components :

No.	Name	Material
1	Body	1. Cast Iron, BS EN1561 EN-GIL-200 2. Ductile Iron, BS EN1563 EN-GJS-500-7 3. Carbon Steel
2	Spindle	Stainless Steel, BS EN 10088-3
3	Disc	1. Cast Iron with Nickel Plated 2. Ductile Iron with Nickel Plated 3. Ductile Iron with Nylon Coated 4. Stainless Steel, SS304 5. Stainless Steel SS316
4	Seat	EPDM, NBR, or Viton
5	Stem Seal Bush	PTFE
6	O-ring	Rubber, EPDM
7	Pin	Stainless Steel, BS EN 10088-3
8	Lever	1. Cast Iron, BS EN1561 EN-GIL-200 2. Aluminum
9	Mounting Plate	1. Carbon Steel with Zinc Plated 2. Stainless Steel 304

Dimensions (mm)

DN	A	B	C	φD	φDo	L	φdo	ISO5211	φK	φE	Z-φd
50	161	80	42	52.9	120	30	12.6	F07	90	70	4-φ9
65	175	89	45.8	64.5	136.2	30	12.6	F07	90	70	4-φ9
80	181	95	45.8	78.8	160	30	12.6	F07	90	70	4-φ9
100	200	114	52	104	185	30	15.77	F07	90	70	4-φ9
125	213	127	55	123.3	215	30	18.92	F07	90	70	4-φ9
150	226	139	55.8	155.1	238	30	18.92	F07	90	70	4-φ9
200	260	175	61.6	202.5	295	40	22.1	F10	125	102	4-φ12
250	292	203	67.2	250.5	357	40	28.45	F10	125	102	4-φ12
300	337	242	76.9	301.6	407	40	31.6	F10	125	102	4-φ12
350	368	267	76.5	333.3	470	45	31.6	F12	150	125	4-φ12
400	400	309	86.5	389.6	525	52	33.15	F14	197	140	4-φ18
450	422	328	105.6	440.5	585	52	38	F14	197	140	4-φ18
500	480	361	131.8	491.6	650	65	41.15	F14	197	140	4-φ18
600	562	459	152	592.5	770	70	50.65	F16	276	165	4-φ22
700	624	520	152	695	840	82	55	F25	300	254	8-φ18
800	660	539	163	744.4	950	82	55	F25	300	254	8-φ18
900	720	656	203	864.7	1050	118	75	F25	300	254	8-φ18
1000	800	721	216	965	1170	142	85	F25	300	254	8-φ18
1200	941	864	276	1160.6	1390	154	105	F30	350	295	8-φ22

Butterfly Valve - Lug Pattern



Model No. BTV-LT

Design to BS5155
 Face to face dimension to DIN3202 K1
 Flange and drilling to BS4504 PN16, ANSI CL125, DIN2501 PN10/16
 Tests: hydraulic test to DIN3230 part 3
 Use: for potable water, sewage, neutral liquids and food industry to max. 70°C
 Coating: fusion bonded epoxy coating minimum 250 microns
 Operation: 2"-12" with lever, 14" and above with gear box or actuator

Components :

No.	Name	Material
1	Body	1. Cast Iron, BS EN1561 EN-GIL-200 2. Ductile Iron, BS EN1563 EN-GJS-500-7 3. Carbon Steel
2	Disc	1. Cast Iron with Nickel Plated 2. Ductile Iron with Nickel Plated 3. Ductile Iron with Nylon Coated 4. Stainless Steel, SS304 5. Stainless Steel SS316
3	Pin	Stainless Steel, BS EN 10088-3
4	Seat	EPDM, NBR, or Viton
5	Spindle	Stainless Steel, BS EN 10088-3
6	Stem Seal Bush	PTFE
7	O-ring	Rubber, EPDM
8	Mounting Plate	1. Carbon Steel with Zinc Plated 2. Stainless Steel 304
9	Lever	1. Cast Iron, BS EN1561 EN-GIL-200 2. Aluminum

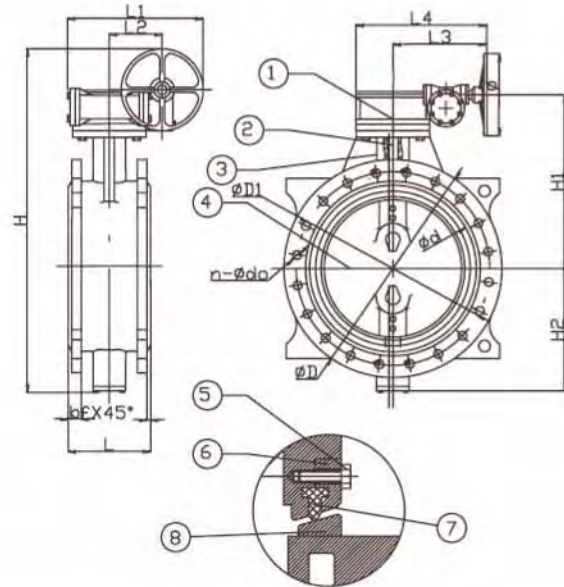
Dimensions (mm)

DN	A	B	C	ΦD	ΦD1	L	Φdo	N-M	ISO5211	ΦK	ΦE	Z-Φd
50	140	80	42	56.4	120	32	14.3	4-M16	F07	90	70	4-Φ9
65	152	89	45.8	68.27	136.2	32	14.3	4-M16	F07	90	70	4-Φ9
80	159	95	45.8	80.9	160	32	14.3	8-M16	F07	90	70	4-Φ9
100	178	114	52	106.5	185	32	15.77	8-M16	F07	90	70	4-Φ9
125	191	127	55	131.4	215	32	18.92	8-M16	F07	90	70	4-Φ9
150	204	139	55.8	153.4	238	32	18.92	8-M20	F07	90	70	4-Φ9
200	238	175	60.6	205.11	295	45	28.45	12-M20	F10	125	102	4-Φ12
250	270	203	65.6	255.2	357	45	28.45	12-M20	F10	125	102	4-Φ12
300	315	242	76.9	306.2	407	45	31.6	12-M20	F10	125	102	4-Φ12
350	368	267	76.5	333.3	470	45	31.6	16-M24	F12	150	125	4-Φ12
400	400	309	86.5	389.6	525	52	33.15	16-M27	F14	197	140	4-Φ18
450	422	328	105.6	440.5	585	52	38	20-M27	F14	197	140	4-Φ18
500	480	361	131.8	491.6	650	65	41.15	20-M30	F14	197	140	4-Φ18
600	562	459	152	592.5	770	70	50.65	20-M33	F16	276	165	4-Φ22
700	624	520	163	695	840	82	55	24-M33	F25	300	254	8-Φ18
800	660	539	167	744.4	950	82	55	24-M33	F25	300	254	8-Φ18
900	720	656	203	864.7	1050	118	75	28-M36	F25	300	254	8-Φ18
1000	800	721	216	965	1170	142	85	28-M39	F25	300	254	8-Φ18
1200	941	864	276	1160.6	1390	154	105	32-M45	F30	350	295	8-Φ22

Butterfly Valve - Flanged Pattern



Model No. BTV-DF



Design to BS5155

Face to face dimension to BS5155 series 14, 16
Flange and drilling to BS4504 PN16, ANSI CL125,
DIN2501 PN10/16

Tests: hydraulic test to DIN3230 part 3

Use: for potable water, sewage, neutral liquids and
food industry to max 70°C

Coating: fusion bonded epoxy coating minimum
250 microns

Operation: lever (under DN300), gear box, actuator

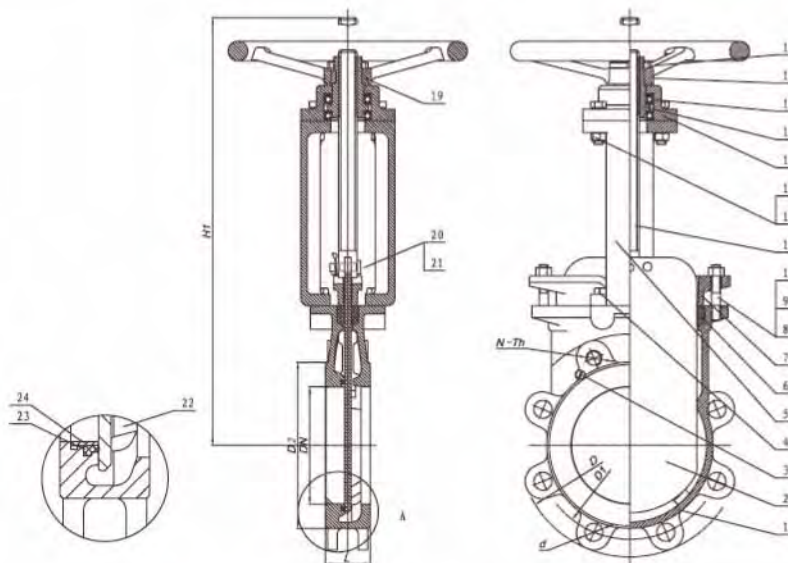
Components :

No.	Name	Material
1	Gear Box	Cast Iron, BS EN1561 EN-GIL-200
2	Body	1. Cast Iron, BS EN1561 EN-GIL-200 2. Ductile Iron, BS EN1563 EN-GJS-500-7
3	Spindle	Stainless Steel, BS EN 10088-3
4	Disc	1. Cast Iron with Nickel Plated 2. Ductile Iron with Nickel Plated
5	Bolts	Carbon Steel
6	Retainer	Carbon Steel
7	Seat	EPDM or NBR
8	Body Seat	Stainless Steel SS304

Dimensions (mm)

DN	L	D	D1	d1	n-φd	b	f	H	H1	H2	L1	L2	L3	L4
100	190	229	190.5	157	8-φ19	20	3	400	180	130	202	48	121	180
150	210	279	241.5	216	8-φ22	20	3	468	216	162	222	58	128	194
200	230	343	298.5	270	8-φ22	20	3	594	254	215	275	70	163	241
250	250	406	362	324	12-φ25	22	3	694	295	224	368	95	163	291
300	270	483	432	381	12-φ25	24	3	809	387	272	449	178	358	473
350	290	533	476	430	12-φ29	25	4	896	431	315	449	178	358	473
400	310	597	539.5	470	16-φ29	26	4	973	472	351	486	196	384	528
450	330	635	578	533	16-φ32	28	4	1019	490	379	486	196	384	528
500	350	699	635	584	20-φ32	30	5	1164	544	420	627	244	407	596
600	390	813	749.5	692	20-φ35	31	5	1312	672	440	627	244	407	596
700	430	927	863.6	800	28-φ35	33	5	1491	772	569	635	370	591	711
800	470	1060	977.9	914	28-φ41	36	5	1522	802	570	635	370	591	711
900	510	1168	1086	1022	32-φ41	40	5	1596	819	627	955	455	591	807
1000	550	1289	1200	1123.9	32-φ41	40	5	1816	960	706	955	455	591	807
1200	630	1511	1422.4	1369	44-φ41	45	5	2034	1069	815	1190	680	801	1089

Knife Gate Valves - Unidirection



Model No. CV-901

Designed in small volume and light weight
Flange and drilling to BS4504 PN16, ANSI
CL125, DIN2501 PN10/16

Rising Stem

Tests: hydraulic test to DIN3230 part 3

Use: for sewage, coal liquids, slurry, slag water
and etc.

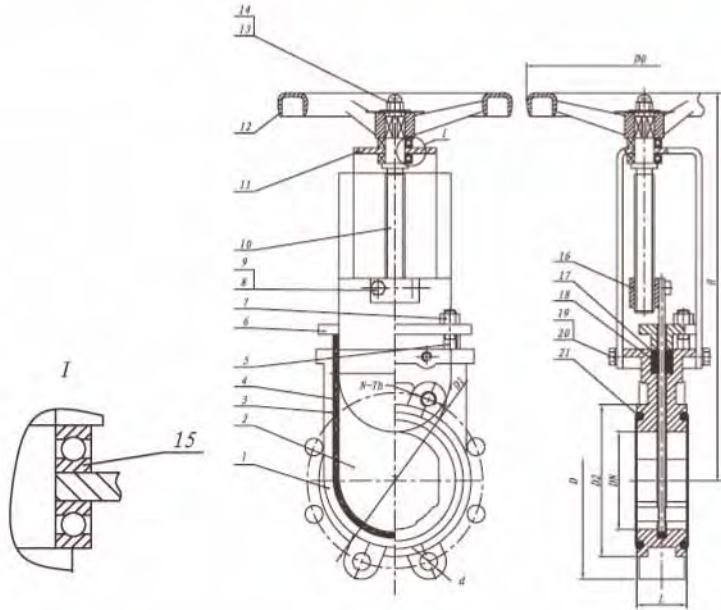
Components :

No.	Name	Material
1	Body	Carbon Steel
2	Disc	Stainless Steel
3,4	Bolts/Nuts	Stainless Steel SS304
5	York	Carbon Steel
6	Packing	PTFE
7	Gland	Carbon Steel
8,9,10	Bolts/Nuts	Stainless Steel SS304
11	Stem	Stainless Steel
12,13	Bolts/Nuts	Stainless Steel SS304
14	Gland Flange	Carbon Steel
15	Stem Nut	Bronze
16	Bearing	Bronze
17	Handwheel	Cast Iron
18	Handwheel Nut	Carbon Steel
19	Pin	Stainless Steel SS304
20,21	Hinge Pin	Carbon Steel
22	Body Things	Carbon Steel
23	Seat	EPDM
24	Seat Gland	Carbon Steel

Dimensions (mm)

DN	L	D	D1	D2	N-M	d	H1
50	48	165	125	99	4-M16	18	600
65	48	185	145	118	4-M16	18	625
80	51	200	160	132	8-M16	18	660
100	51	220	180	156	8-M16	18	690
125	57	250	210	184	8-M16	18	735
150	57	285	240	212	8-M20	23	785
200	70	340	295	266	8-M20	23	865
250	70	395	350	319	12-M20	23	1015
300	76	445	400	370	12-M20	23	1115
350	76	505	460	430	16-M20	23	1215
400	89	565	515	480	16-M24	27	1320
450	89	615	565	530	20-M24	27	1415

Knife Gate Valves - Bi-Direction



Model No. CV-902

Designed in small volume and light weight
 Flange and drilling to BS4504 PN16, ANSI
 CL125, DIN2501 PN10/16
 Rising stem, Non-ring stem available
 Tests: hydraulic test to DIN3230 part 3
 Use: for sewage, coal liquids, slurry, slag water
 and etc.

Components :

No.	Name	Material
1	Body	Cast Iron, BS EN1561 EN-GJL-200
2	Disc	Stainless Steel
3	Body Seal	EPDM
4	Wire	Stainless Steel SS304
5	Bolts/Nuts	Stainless Steel SS304
6	Gland	Carbon Steel
7,8,9	Bolts/Nuts	Stainless Steel SS304
10	Stem	Stainless Steel
11	York	Carbon Steel
12	Handwheel	Cast Iron
13,14	Bolts/Nuts	Stainless Steel SS304
15	Bearing	Bronze
16	Stem Nut	Bronze
17	Packing	PTFE
18	Seal Things	Rubber, EPDM
19,20	Bolts/Nuts	Stainless Steel SS304
21	Seat	Rubber, EPDM

Dimensions (mm)

DN	L	D	D1	D2	N-M	d	H1 (rising)	H1 (non-rising)
40	48	150	110	84	4-M16	18	600	288
50	48	165	125	99	4-M16	18	625	290
65	48	185	145	118	4-M16	18	660	330
80	51	200	160	132	8-M16	18	690	358
100	51	220	180	156	8-M16	18	735	378
125	57	250	210	184	8-M16	18	785	428
150	57	285	240	212	8-M20	23	865	490
200	70	340	295	266	8-M20	23	1015	588
250	70	395	350	319	12-M20	23	1115	690
300	76	445	400	370	12-M20	23	1215	815
350	76	505	460	430	16-M20	23	1320	890
400	89	565	515	480	16-M24	27	1415	980



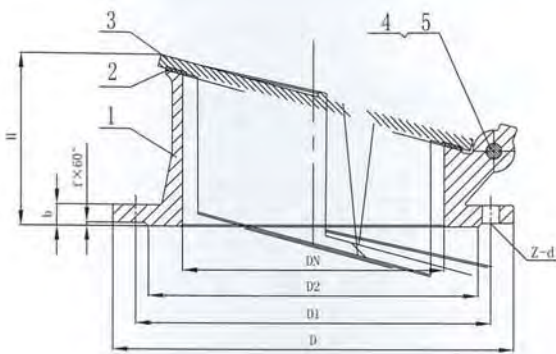
Model CV-701F

Components :

No.	Name	Material
1	Body	DI, BS EN1563 EN-GJS-500-7
2	Gasket	Rubber, EPDM
3	Cover	DI, BS EN1563 EN-GJS-500-7
4	Shaft	Stainless Steel
5	Pin	Stainless Steel

Dimensions (mm)

DN	H	D	D1	D2	b	f	Z-Φd
80	109	200	160	138	19	3	8-Φ18
100	118	220	180	158	19	3	8-Φ18
150	139	285	240	212	19	3	8-Φ22
200	165	340	295	268	20	3	12-Φ22
250	182	405	355	320	22	3	12-Φ26
300	197	460	410	378	24.5	4	12-Φ26



Model CV-DF0312

Dimensions (mm)

DN	D	D1	D2	D3	H1	H2
80	200	126	101	126	51	19
100	220	146	121	146	51	19
150	285	199	173	198	57	19
200	340	252	225	263	58	20
250	400	307	277	315	60	22
300	455	360	329	367	63	25
350	520	414	382	420	63	26.4
400	580	466	433	478	69	28
450	640	518	484	529	69	30
500	715	571	536	580	71	31.5
600	840	676	639	684	74	36

