

RESTRAINED

GRIP

Coupling & Flange Adaptor

For HDPE Pipe



Tensile Restrained Coupling & Flange Adaptor

Fig.FA802 & FC802

RUA tensile restrained coupling & flange adaptor, are tensile resistant fittings for HDPE pipes, it contains an end load resistant mechanism, that grips and seals onto HDPE Pipes to prevent the pipe pull off from the pipe system. It's suitable for use with water, drainage, sewage ... pipe systems, and the maximum working temperature is 80°C.

Suitable for Water & Gas

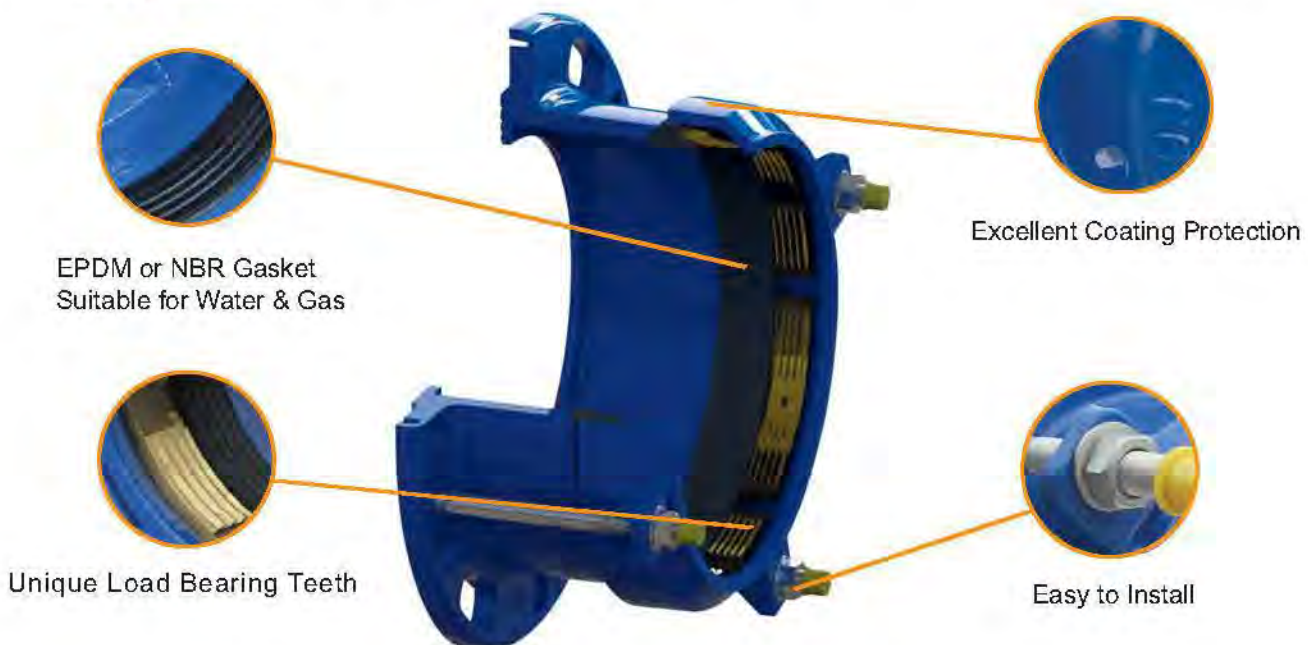
- The Restrained Coupling & Adaptor are supplied as standard with EPDM gasket for water applications to EN681, also available with NBR gasket to EN682 for natural gas, petroleum products, drainage, sewage ect.

Excellent Corrosion Protection

- Metal units are coated with RAL5017 fusion bond epoxy coated powder which with good anticorrosion characteristic. The nuts and bolts are Dacromet, offering long term protection against corrosion, impact and abrasion to ensure continued reliable performance.

Unique Load Bearing Teeth

- As the compression bolts are tightened, unique load bearing brass teeth are insert into the gasket grip around the outside diameter of the pipe, providing a fully end load restraint joint.



Material And Relevant Standards:

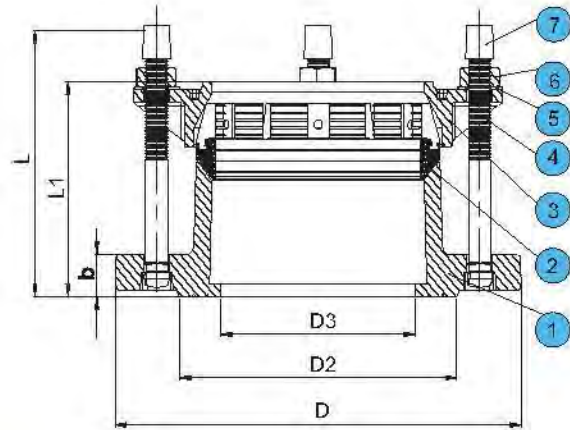
Coupling

- **Centre Sleeve**
 - Ductile Iron to EN-GJS-450-10, EN-GJS-500-7
 - Rolled Steel to EN St.37.2
- **End Rings**
 - Ductile Iron to EN-GJS-450-10, EN-GJS-500-7
- **Bolts/Nuts/Washers**
 - Cold forged steel to ISO898-1, Class6.8, Dacromet Coated.
 - Other material available for request.
- **Sealing Ring:**
 - EPDM to BS EN 681-1+Brass Teeth
- **Coatings**
 - RAL5017 FBE coated.
 - Othes available on request.

Flange Adaptor

- **Body & End Rings**
 - Ductile Iron to BS EN-GJS-500-7
- **End Rings**
 - Ductile Iron to EN-GJS-450-10, EN-GJS-500-7
- **Bolts/Nuts/Washers**
 - Cold forged steel to ISO898-1, Class6.8, Dacromet Coated.
 - Other material available for request.
- **Sealing Ring:**
 - EPDM to BS EN 681-1+Brass Teeth
- **Coatings**
 - RAL5017 FBE coated.
 - Othes available on request.

Fig.FA802



Material Specification:

No.	Parts Name	Material	Specification
1	Body	Ductile Iron	GGG50
2	Sealing Ring	Rubber+Brass	EPDM+Brass
3	End Ring	Ductile Iron	GGG50
4	Bolts	Dacromet Coated Steel	ISO898-1:1999
5	Washer	Dacromet Coated Steel	
6	Nuts	Dacromet Coated Steel	ISO898-2:1992
7	Cap	Plastic	

*Other Fasteners like Zinc Plated or PTFE coated are all available on request.

Features

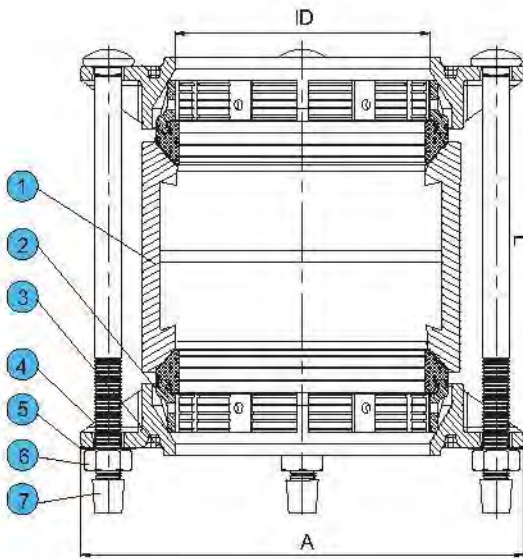
- Ductile Iron GGG50 material with FBE coated.
- PN10,PN16 working pressure.
- Equipped with Dacromet Steel bolts, nuts.
- EPDM or NBR rubber seals .
- High Tolerance Mechanical Pipe Fittings
- Angular deflection +/- 3°.

Dimensions(mm)

Size	Pipe OD	D3	D	b	L1	L	Bolts Qty	DIN EN	Weight
								PN10/PN16	kg
DN50	50	50	165	19	63	115	2XM12	●	3.61
DN50/DN60/DN65	63	55	180	19	63	115	2XM12	●	4.29
DN60/DN65	75	66	180	19	63	115	2XM12	●	4.39
DN80	90	84	180	19	63	115	4XM12	●	4.58
DN100	110	105	200	19	63	115	4XM12	●	6.44
DN125	125	135	220	19	63	115	4XM12	●	6.63
DN150	160	154	285	19	63	115	4XM12	●	8.39
DN200	200	210	340	19	63	140	4XM14	●	13.75
DN200	225	210	340	20	88	160	4XM14	●	14.72
DN250	250	260	400	22	88	160	6XM16	●	23.89
DN250	280	275	400	22	88	160	6XM16	●	24.38
DN300	315	302	455	24	88	160	6XM16	●	27.89

Tensile Restrained Coupling for HDPE pipe

Fig.FC802



Features

- Ductile Iron GGG50 material with FBE coated.
- PN10,PN16 working pressure.
- Equipped with Dacromet Steel bolts, nuts.
- EPDM or NBR rubber seals .
- High Tolerance Mechanical Pipe Fittings
- Angular deflection +/- 3°.

Material Specification:

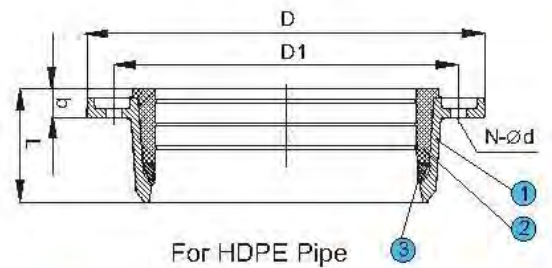
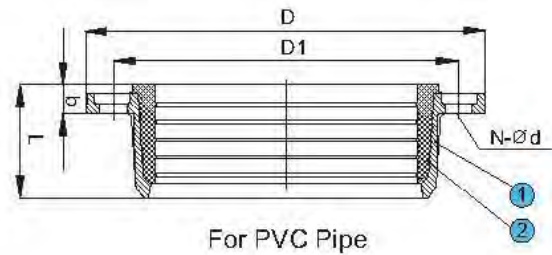
No.	Parts Name	Material	Specification
1	Center Sleeve	Ductile Iron	GGG50
2	Sealing Ring	Rubber+Brass	EPDM+Brass
3	End Ring	Ductile Iron	GGG50
4	Bolts	Dacromet Coated Steel	ISO898-1:1999
5	Washer	Dacromet Coated Steel	
6	Nuts	Dacromet Coated Steel	ISO898-2:1992
7	Cap	Plastic	

*Other Fasteners like Zinc Plated or PTFE coated are all available on request.

Dimensions(mm)

Pipe OD	ID	A	L	Bolts Qty	Weight(kg)
50	55	140	95	2XM12	2.73
63	67	150	95	2XM12	3.41
75	80	150	95	4XM12	4.10
90	95	180	95	4XM12	4.58
110	115	200	95	4XM12	6.34
125	130	240	95	4XM12	7.80
160	165	270	95	4XM14	9.56
200	205	325	110	4XM14	15.11
225	230	325	135	4XM14	19.01
250	255	380	135	6XM16	27.30
280	285	380	135	6XM16	29.25
315	320	420	170	6XM16	43.88

Fig.FA40



Material Specification:

No.	Parts Name	Material	Specification
1	Body	Ductile Iron	GGG50
2	Seal Ring	Rubber	EPDM
3	Grip Ring	Brass	

Features

- Ductile Iron GGG50 material with FBE coated.
- PN10,PN16 working pressure.
- EPDM or EPDM+Brass Seal Ring.
- Flange Drilling to ISO PN10/PN16.

Dimensions(mm)

Size	Pipe OD	D	b	L	PN10		PN16		Weight(kg)	
					D1	N-Ød	D1	N-Ød	PVC	HDPE
DN40	50	165	19	48	110	4-19	110	4-19	1.74	1.79
DN50/DN65	63	165	19	53	125	4-19	125	4-19	1.84	1.90
DN60/DN65	63	185	19	53	135/145	4-19	135/145	4-19	1.72	1.78
DN60/DN65	75	185	19	57	135/145	4-19	135/145	4-19	1.89	1.96
DN80	75	200	19	57	160	8-19	160	8-19	2.46	2.54
DN80	90	200	19	63	160	8-19	160	8-19	2.46	2.57
DN100	110	220	19	63	180	8-19	180	8-19	3.09	3.24
DN125	125	250	19	72	210	8-19	210	8-19	4.14	4.46
DN125	140	250	19	72	210	8-19	210	8-19	4.32	4.83
DN150	160	285	19	87.5	240	8-23	240	8-23	5.45	6.07
DN200	200	340	20	93.5	295	8-23	295	12-23	6.25	7.14
DN200	225	340	20	93.5	295	8-23	295	12-23	7.18	8.11
DN250	250	400	22	98	350	12-23	355	12-28	9.73	10.93
DN300	315	455	24.5	115	400	12-23	410	12-28	14.04	15.44
DN350	355	520	26.5	115	460	16-23	470	16-28	25.00	26.80
DN400	400	580	28	128	515	16-28	525	16-31	21.80	23.54