

SINGLE

# DEDICATED

## Coupling & Flange Adaptor

For Ductile Iron & Steel Pipes



# Dedicated Coupling & Flange Adaptor

**RUA Single OD** Dedicated Flange Adaptors Covering a similar range to the straight coupling, are manufactured to join plain ended pipe to flanged valves, fittings, flow meters and pipes. Flange drillings are available to all international standards or to customer specifications. Fowry dedicated couplings join pipes of the same outside diameter, such couplings can be manufactured to suit both metric and imperial dimensions for Steel, Ductile Iron pipes etc.

## Design Features

### Long Life Sealing

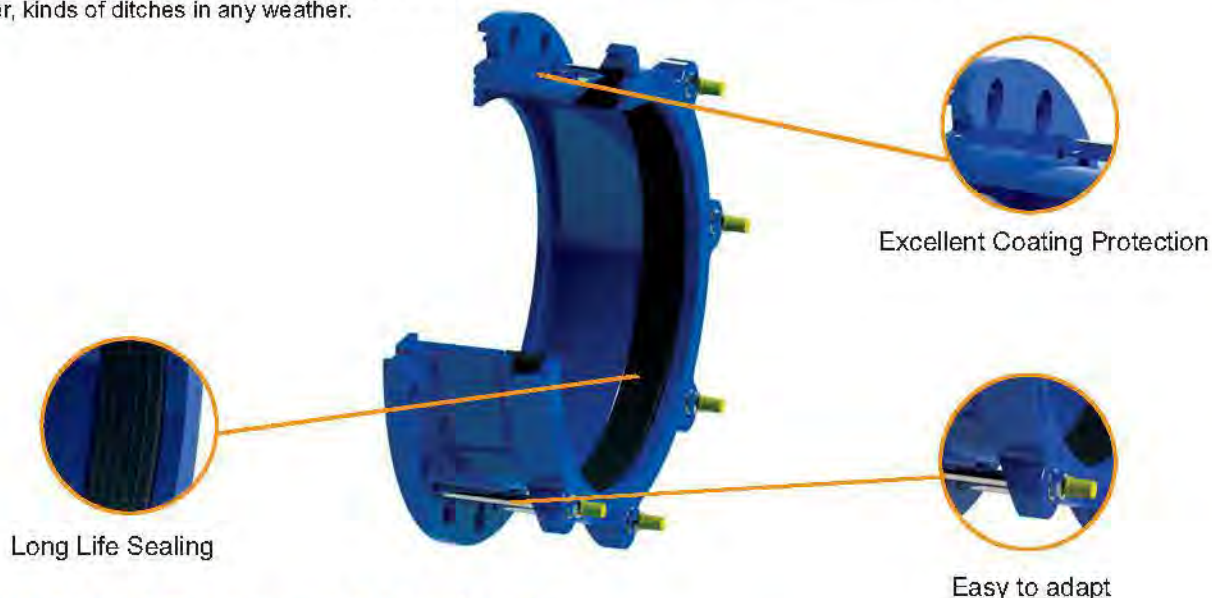
- The elastomeric sealing gasket can supply more than 25 years lifetime.

### Easy to Adapt

- Available to many installation conditions, like under-water, kinds of ditches in any weather.

### Excellent Coating Protection

- The normal painting for universal fittings is RAL5017 fusion bond epoxy coated powder which with good anticorrosion characteristic, and the bolts and nuts are Dacromet coating, which with good anticorrosion, thermostability characteristic.



## Material and Relevant Standards:

### Coupling

#### Centre Sleeve & End Rings

- Ductile Iron to BS EN-GJS-500-7
- Mild Steel to EN10025 S235JR.

#### Gaskets

#### Standard

- EPDM TO BS EN681-1
- NBR TO BS EN682

#### Tee Bolts/Bolts

- Standard: Steel to BS EN ISO 898-1 Class 4.8
- Other material available for request.

#### Nuts/Washers

- Nuts: Steel to BS EN ISO 898-2 .
- Other material available for request.

#### Washers

- Decromet Coated Steel

#### Coatings

- Blue FBE coated to RAL5017
- Option: Rilsan Nylon 11.

### Flange Adaptor

#### Body & End Ring

- Ductile Iron to BS EN-GJS-500-7
- Mild Steel to EN10025 S235JR.

#### Gaskets

#### Standard

- EPDM TO BS EN681-1
- NBR TO BS EN682

#### Tee Bolts/Bolts

- Standard: Steel to BS EN ISO 898-1 Class 4.8
- Other material available for request.

#### Nuts/Washers

- Nuts: Steel to BS EN ISO 898-2 .
- Other material available for request.

#### Washers

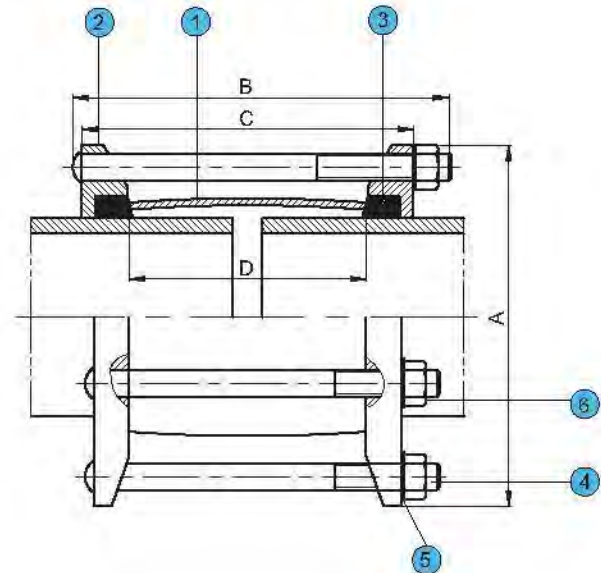
- Decromet Coated Steel

#### Coatings

- Blue FBE coated to RAL5017
- Option: Rilsan Nylon 11.

## Fig. FC30

For Ductile Iron Pipe



### Material Specification:

Item No.	Parts Name	Material	Specification
1	Center Sleeve	Ductile Iron	GGG50
2	End Ring	Ductile Iron	GGG50
3	Rubber Seal	Rubber	EPDM
4	Bolt	Dacromet Coated Steel	ISO898-1:1999
5	Washer	Dacromet Coated Steel	
6	Nut	Dacromet Coated Steel	ISO898-2:1992

### Features

- Ductile Iron GGG50 material with FBE coated.
- PN10,PN16 working pressure.
- Equipped with Dacromet Steel bolts, nuts.
- EPDM or NBR rubber seals .
- Suitable for Ductile Iron Pipes.

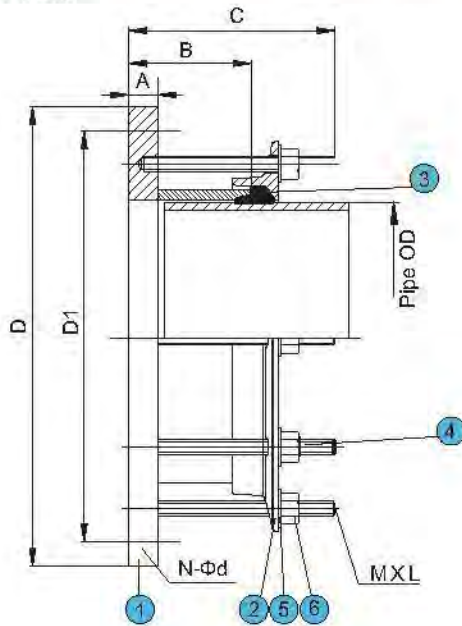
### Dimensions(mm)

Size	Pipe O.D	A	B	C	D	Bolts No.	Bolts Size (M x L)
DN40	56	120	166	125	102	2	M12X158
DN50	66	126	166	125	102	2	M12X158
DN60	77	135	166	125	102	2	M12X158
DN65	82	156	166	125	102	2	M12X158
DN80	98	184	166	130	102	4	M12X158
DN100	118	205	166	130	102	4	M12X158
DN125	144	232	166	130	102	4	M12X158
DN150	170	264	173	133	102	4	M12X165
DN200	222	315	173	133	102	6	M12X165
DN250	274	374	173	136	102	6	M12X165
DN300	326	426	173	136	102	6	M12X165
DN350	378	494	254	200	152	8	M16X240
DN400	429	544	254	200	152	8	M16X240
DN450	480	595	254	200	152	10	M16X240

Size	Pipe O.D	A	B	C	D	Bolts No.	Bolts Size (M x L)
DN500	532	650	254	210	152	10	M16X240
DN600	635	753	254	210	152	12	M16X240
DN700	738	858	254	210	152	12	M16X240
DN800	842	962	254	210	152	12	M16X240
DN900	945	1070	280	238	178	14	M16X280
DN1000	1048	1173	280	238	178	14	M16X280
DN1100	1152	1282	280	240	178	16	M16X280
DN1200	1255	1385	280	240	178	18	M16X280
DN1400	1462	1592	295	250	178	20	M20X280
DN1600	1668	1798	295	250	178	24	M20X280
DN1800	1875	2015	375	320	254	32	M20X360
DN2000	2082	2222	375	320	254	36	M20X360

# Dedicated Flange Adaptor

Fig. FA20



For Ductile Iron Pipe



## Features

- Ductile Iron GGG50 material with FBE coated.
- PN10, PN16 working pressure.
- Equipped with Dacromet Steel bolts, nuts.
- EPDM or NBR rubber seals.
- Suitable for Ductile Iron Pipes.

## Material Specification:

Item No.	Parts Name	Material	Specification
1	Body	Ductile Iron	GGG50
2	End Ring	Ductile Iron	GGG50
3	Rubber Seal	Rubber	EPDM
4	Bolt	Dacromet Coated Steel	ISO898-1:1999
5	Washer	Dacromet Coated Steel	
6	Nut	Dacromet Coated Steel	ISO898-2:1992

## Dimensions(mm)

Size	Pipe OD	B	C	A	PN10 Flange Drilling			PN16 Flange Drilling			Bolts No.	Bolts Size (M x L)
					D	D1	N-φd	D	D1	N-φd		
DN40	56	73	105	19	150	110	4-19	150	110	4-19	4	M12X100
DN50	66	73	105	19	165	125	4-19	165	125	4-19	4	M12X100
DN60	77	73	105	19	175	135	4-19	175	135	4-19	4	M12X100
DN65	82	73	105	19	185	145	4-19	185	145	4-19	4	M12X100
DN80	98	73	105	19	200	160	8-19	200	160	8-19	4	M12X100
DN100	118	73	105	19	220	180	8-19	220	180	8-19	4	M12X100
DN125	144	76	115	19	250	210	8-19	250	210	8-19	4	M12X100
DN150	170	76	115	19	285	240	8-23	285	240	8-23	4	M12X110
DN200	222	76	115	20	340	295	8-23	340	295	12-23	4	M12X110
DN250	274	90	130	22	400	350	12-23	400	355	12-28	6	M12X120
DN300	326	90	130	24.5	455	400	12-23	455	410	12-28	6	M12X120
DN350	378	110	180	24.5	505	460	16-23	520	470	16-28	8	M16X170
DN400	429	110	180	24.5	565	515	16-28	580	525	16-31	8	M16X170
DN450	480	110	190	24.5	615	565	20-28	640	585	20-31	10	M16X170
DN500	532	115	190	26.5	670	620	20-28	715	650	20-34	10	M16X180
DN600	635	115	190	30	780	725	20-31	840	770	20-37	10	M16X180
DN700	738	115	190	32.5	895	840	24-31	910	840	24-37	12	M16X180
DN800	842	115	190	35	1015	950	24-34	1025	950	24-40	12	M16X180
DN900	942	120	190	37.5	1115	1050	28-34	1125	1050	28-40	14	M16X180
DN1000	1048	120	190	40	1230	1160	28-37	1255	1170	28-43	14	M16X180
DN1200	1255	130	190	45	1455	1380	32-40	1485	1390	32-49	16	M16X180
DN1400	1462	130	190	46	1675	1590	36-43	1685	1590	36-49	18	M20X200
DN1600	1668	190	275	49	1915	1820	40-49	1930	1820	40-56	20	M20X240
DN1800	1875	190	275	52	2115	2020	44-49	2130	2020	44-56	22	M20X240
DN2000	2082	190	275	55	2325	2230	48-49	2345	2230	48-62	24	M20X240